

WD260



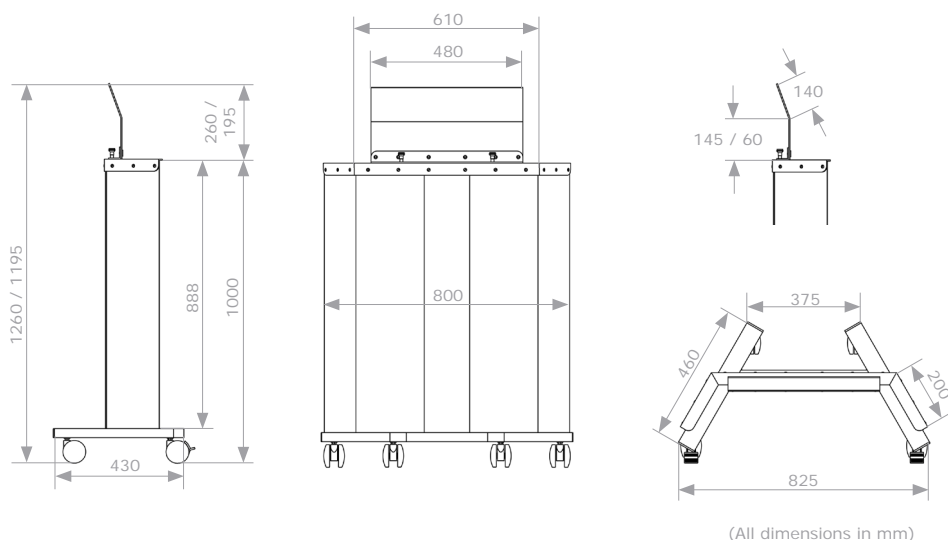
Mobile X-Ray Protection WD260

With mobile shields, one must start with high expectations and goals during the conception and development stages in order to avoid it being a disturbance in the room. Therefore all aspects of the work place must be taken into consideration in order to create a harmony between the equipment, procedural methods, and the demands of the personnel.

The mobile X-ray shield series WD260's slim and versatile design is tilt resistant and takes up only a small space during use or storage.

The body of the mobile shield consists of a broad middle section with two removable upper shields of different heights and two fix-angled side sections. The shield provides optimal protection with its overlapping, flexible panels, which contain a 0.50 mm Pb lead equivalency.

The WD260 has also been fitted with special, conductive wheels to prevent electrostatic charges.



Mobile X-Ray Protective Shield

Article-No.	Size (W x H)	Pb-Value
WD260/100/81/E	82.5 x 126.0/119.5 cm	Pb 0.50 mm



Front View



Stable Wheel Base

