

AMRAD MEDICAL



FRS | Floor Rail System
Multi-purpose Radiographic System

www.AmRadMedical.com

Features & Benefits

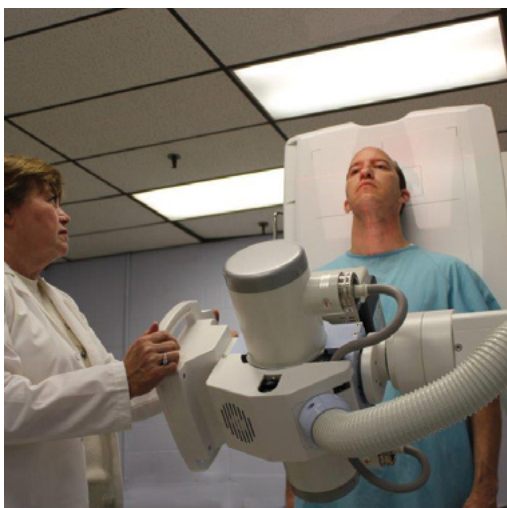


Decubitus Abdomen

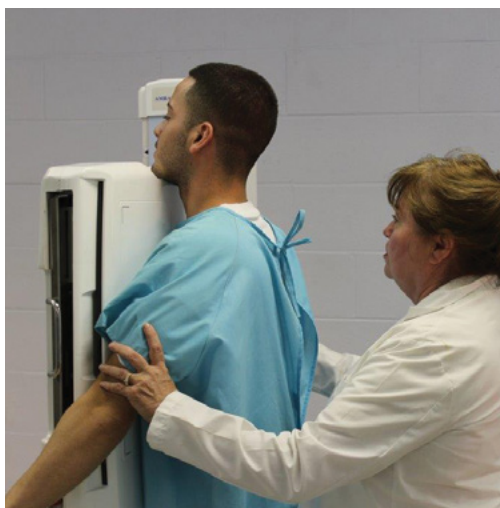
- Easy to move floor mounted tube stand and motorized detector stand movement helps improve productivity and optimize workflow
- Traditional floor mounted tube stand means no complicated learning curve for technologists
- Floor mounted design minimizes installation requirements
- Mobile table with 500 pound patient capacity provides a full-featured system with maximum imaging capability and flexibility
- Compatible with CR or DR and customizable with any power generator, the FRS can be configured for the needs of any facility



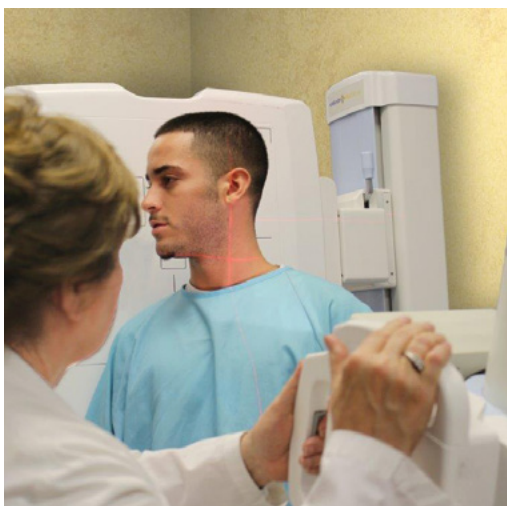
Multi-purpose Radiographic System



The Journal of Urgent Care Medicine states that Sinusitis is the number one diagnosis based on an analysis of Urgent Care CPT Codes.



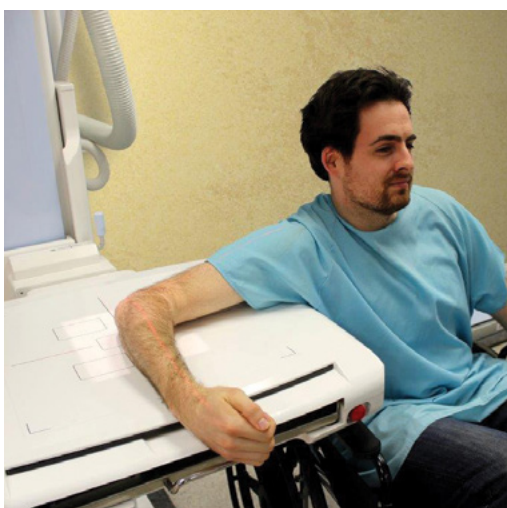
The US FDA says that the Chest X-ray is the most common medical imaging examination.



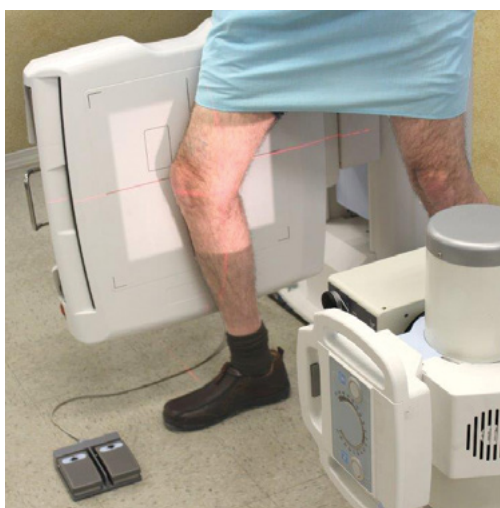
More than one million whiplash injuries occur each year due to automobile accidents.



Your shoulders are the most movable joints in your body and having them work properly is important.

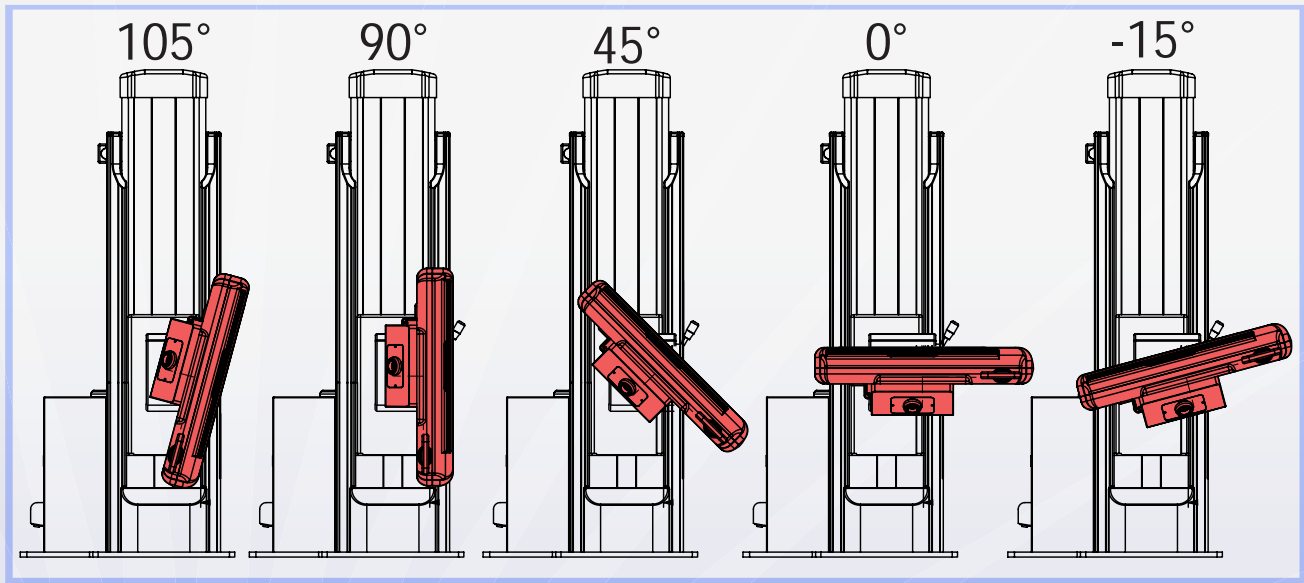


Disabled-World indicates that there are at least 1.7 million users of wheelchairs in the U.S.



Knee injuries are common at all ages.

ROTATION RANGE 105° TO -15° IN 5° INCREMENTS



System Description



Motorized, elevating detector stand

- Footswitch and hand button operation
- -15° to +105° manual Bucky rotation in 5° increments
- Tray for CR or wireless DR cassettes
- Enclosure for fixed DR panels
- Removable 178 line, 8:1, mid-focus grid
- Collision sensing and power disrupt

Floor Mount Tubestand

- 8 foot floor rail
- Manual, fully counterbalanced movement
- Longitudinal, vertical and rotational electric locks
- Longitudinal travel: 72 inches
- Vertical travel: 59 inches
- Tube rotation: ± 135°

Mobile Table with 500 Pound Patient Capacity

Certified Manual Collimator

Configuration Flexibility

- 30kW to 80kW generators
- Up to 400,000 Heat Unit x-ray tube
- Compatible with most CR and DR technology

Options

- Automatic Exposure Control (AEC)
- Alternative grids



SAI GLOBAL
ISO 13485
Quality



www.AmRadMedical.com