

DEL MEDICAL

OTC12S

Overhead Tube Crane System

The Del Medical OTC12S is our premier imaging suite designed for high demand imaging environments such as hospitals and urgent care centers. This high-throughput imaging suite offers complete versatility and reliability. The durable OTC12 overhead tube crane with auto tracking to the elevating table and wall stand with tilting bucky can readily accommodate all general purpose radiographic procedures. Add a DelWorks DR Package for increased efficiency.



DEL MEDICAL

OTC12S

Overhead Tube Crane System

OTC12

Overhead Tube Crane

This overhead mounted support allows for the most flexible and affordable configuration choices in radiography. Sturdy and reliable, it is ideal for high-throughput environments such as hospitals, emergency rooms and high volume out patient facilities.

- Touch screen display for SID, angulation and generator control
- ACSS (Automatic Cassette Size Sensing)
- Motorized vertical axis
- Auto tracking to table and wall stand
- Telescoping arm allows for small focus-to-ceiling distance
- Ergonomic design with easy movements for fast, accurate positioning
- Electromagnetic lock for telescopic lift and transverse track
- Integrated lock function
- Automatic collimator with laser line localizer and integrated measuring tape
- 600kHU 0.6-1.0mm x-ray tube



RAD TC

Elevating Table

The Del Medical RAD TC is a versatile elevating table with four-way float and motorized height adjustment.

Features include:

- The table locks and height adjustment are controlled via a footswitch that can be programmed to the user's needs during the installation process
- For improved patient access, an optional second kick switch can be mounted to the backside of the table
- Ergonomically rounded edges on bucky tray for patient and operator safety
- Patients up to 6ft-2in (190cm) in height and 617lb (280kg) in weight can be examined from head to toe without repositioning
- The Automatic Exposure Control System helps to avoid repeat exposures



The cassette holder is designed for single handed operation



WS04

Tilting Wall Stand

- Tracking unit for motorized movement of X-ray tube assembly
- Tilttable bucky from +90° (horizontal position) to -20°
- Large vertical travel range allows exposures of patients up to 6ft-1in (190cm) height
- Receptor lowers to floor to accommodate a full range of upright radiographic procedures
- Accessible from left or right with easy ergonomic one-hand operation
- Patient handgrips, two lateral and one removeable overhead
- Counter balanced for smooth vertical movement



IT Series Generator

- IT 55, 65 or 80kW, three phase, high frequency generator
- Anatomical programming
- Membrane console
- Plus Package (heat calculator and AEC)
- Flexible interfacing for DR systems
- Optional console versions:
 - Touch screen panel
 - Key console with organ program option
 - Mini-console for DR



DELWORKS DR

Add a DelWorks DR Upgrade Package for a completely integrated digital system for increased efficiency. Choose from a variety of fixed or portable, tethered or wireless, flat panel detector(s) complete with DELWORKS acquisition and processing workstation and software. Please contact us for complete details on our DR upgrade packages.



OTC12S

Overhead Tube Crane



Specifications

OTC12 Overhead Tube Mount

- Minimum focus ceiling distance: 32.7in (830mm)
- Vertical telescope travel range: 70.8in (1800mm)
- Longitudinal travel range,
 - with standard rail: 137.8in (3500mm)
 - with optional rail extensions: 222.2in (5645mm)
 - detent positions: configurable during installation
- Transverse travel range,
 - with standard 9.8ft (3m) rail: 84.6in (2150mm)
 - with optional 13.1ft (4m) rail: 137.8in (3500mm)
 - detent positions: configurable during installation
- Transverse track length, standard: 119.3in (3030mm) ±.39in (10mm)
- with optional rail extension: 172in (4380mm) ±.39in (10mm)
- Tube rotation range, horizontal axis: -120°, +120°
- -detent positions: -90°, 0°, +90°
- Tube rotation range, vertical axis: +182°, -154°
- -detent positions: +180°, -90°, 0°, +90°
- Maximum installation height: ≤1.2 miles (2000m) above sea level
- Touchscreen interface: SID, horizontal tube rotation & generator control

OTC12 Overhead Tube Mount Options

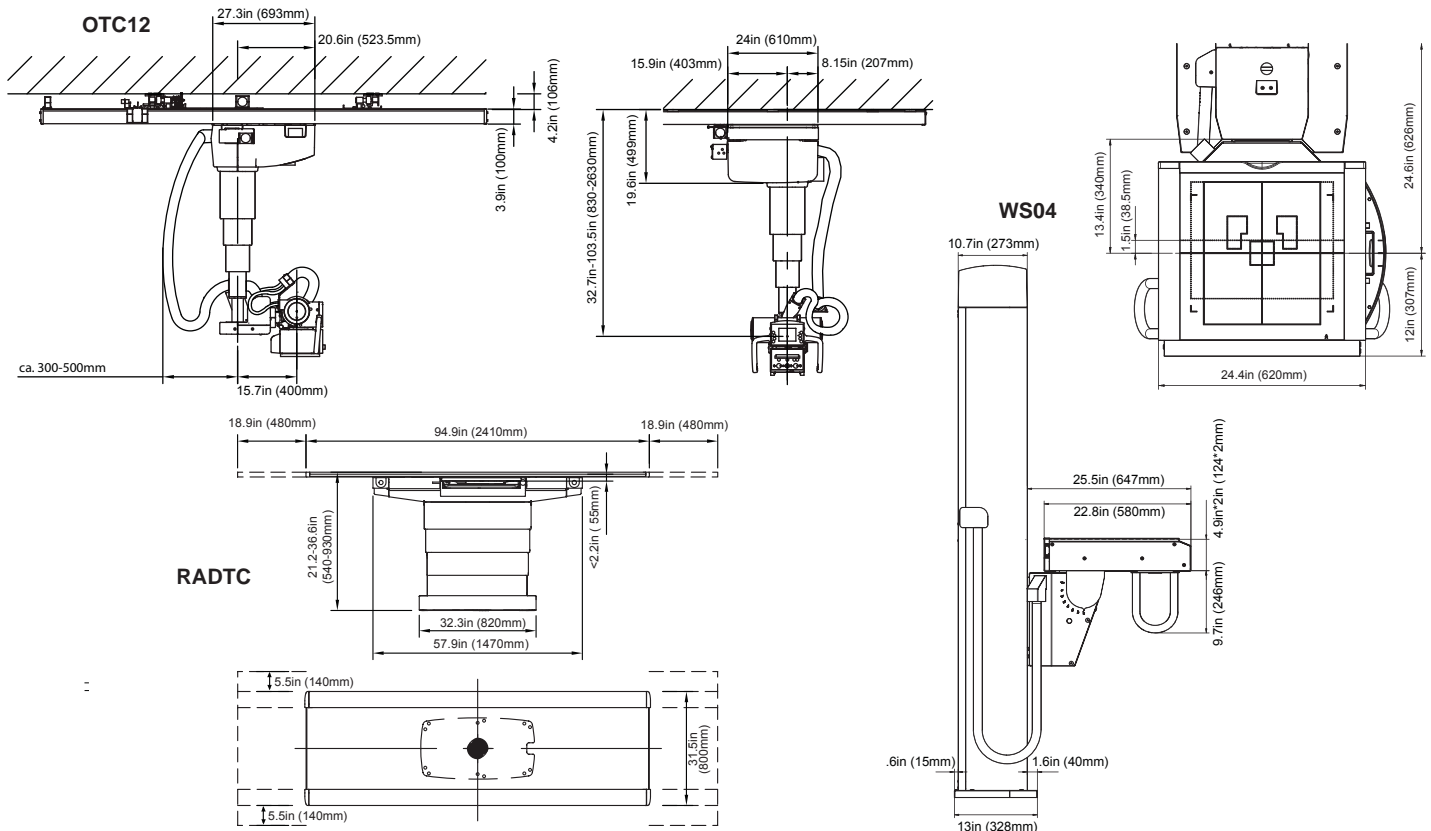
- 150kVp, 600kHU, 0.6-1.0mm
- Extended longitudinal rail length, up to 20ft (6.37m)
- Extended telescope and travel, increases vertical travel by 7.9in (200mm)
- 13.12ft (4m) transverse bridge

RAD TC Elevating Table

- Base length: 32.3in (820mm)
- Top length: 94.5in (2400mm)
- Top width: 31.5in (800mm)
- Table weight: 563lb (256kg)
- Radiation absorption: ≤ 0.65mm Al
- Tabletop travel: Longitudinal: ± 18.9in (± 480mm)
- Transverse: ± 5.5in (± 140mm)

WS04 Tilting Wall Stand

- Tilt Range: -20° to +90° with 0°/90° detent
- Height: 83in (2110mm)
- Depth at 90° tilt: 36.7in (933mm)
- Width (with side handles) 30in (760mm)
- Radiation absorption: ≤ 0.45mm Al



Del Medical is a UMG Company.
 Del Medical is an ISO 13485 & ISO9001 Certified Facility.
 Specifications are subject to change without notice.