**High Quality Lead Acrylic Shield**

The shield allows for an excellent transmittance and unimpeded view.

All edges & corners have been rounded and shatter-proof materials are used to minimize risk of injury.

Patient Curtain/Strips

To perfectly adapt to the patient's body



STEA-OT4
(accessory) Disposable, sterile cover for the whole shield

Article Codes: OT54001

Shield complete* with Portegra2 Suspension Arm (extension arm length 75 cm)

*including one box of 50 sterile covers (STEA-OT4)

IEC 60601-1

Made in Germany



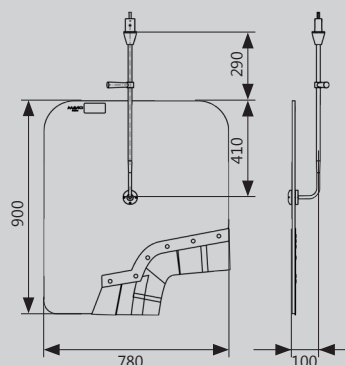
OT54001 – X-Ray Protective Shield

X-Ray Protective Shield for Femoral and Radial Access During Cardiologic and Angiographic Procedures

The special shield design and the flexibility of the curtain allows it to perfectly adapt to the patient's body without producing gaps between the strips, reducing the scatter radiation emitting from the patient's body. Additionally, the second patient cutout in combination with the flexible strips ensures optimal radiation protection during femoral, as well as radial access procedures.

The large shield size expands the protective zone, better protecting the radiation sensitive head and eye lens of taller physicians, and increases the movement area of the medical personnel within the zone.

- **Lead Acrylic Shield** HxW: 90 x 78 cm (35.4 x 30.7 in)
Weight: 15.0 kg (incl. curtain/strips)
- **Lead Equivalent** Pb 0.50 mm (shield, curtain/strips)
- **OT54001** Extension / Spring Arm
Lengths: 75 cm / 91 cm (29.5 in / 35.8 in)
Colour: RAL 9002
- **Replacement Parts** E-OT54B01: Shield with connection bar
ST-OT54B015AM: Patient curtain/strips



MAVIG GmbH

X-Ray Protection and
Medical Suspension Systems

Stahlgruberring 5
81829 Munich
Germany

PO Box 82 03 62
81803 Munich
Germany

Phone +49 (0) 89 / 420 96 - 0
Fax +49 (0) 89 / 420 96 - 200
e-Mail info@mavig.com