

# UT6020

MAVIG



**Model:** UT6260  
**Article Code:** UT6020

Lower Body Protection with one removable upper shield (35.0 cm) suitable for flat profile rails from 7 x 25 mm to 10 x 30 mm

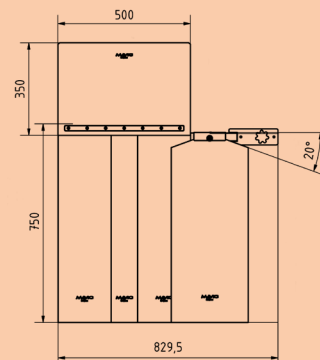
CE  
Made in Germany

## Lower Body Protection – UT6020

Lower body protection systems are an integral part of every radiation protection concept for interventional radiology. These systems absorb secondary radiation underneath the table and shields the lower extremities and genital area of the examiner.

The UT60 is MAVIG's answer to table mounted protection for tiltable tables. The lower sway panels self adjust to a table inclination of 15°. A double jointed rail adapter allows the user to place the shield as close as possible to the table to better protect against secondary radiation. The UT60 has been designed so that it can be placed on either side of the table offering a more versatile protection.

- **Overlapping, flexible X-ray protective panels with PVC covering (light grey)**
- **Lead equivalent Pb 0.50 mm**
- **Two practical wall mounts included**
- **Heights: 75.0 cm (main part)  
35.0 cm (upper shield)**
- **Widths: 50.0 cm (3 overlapping panels)  
29.0 cm (adapted sway panel)**



**MAVIG GmbH**  
X-Ray Protection  
& System Solutions

Stahlgruberring 5  
81829 Munich  
Germany

PO Box 82 03 62  
81803 Munich  
Germany

Phone: 089 / 420 96 – 0  
Fax: 089 / 420 96 – 200  
e-Mail: info@mavig.com

[www.mavig.com](http://www.mavig.com)