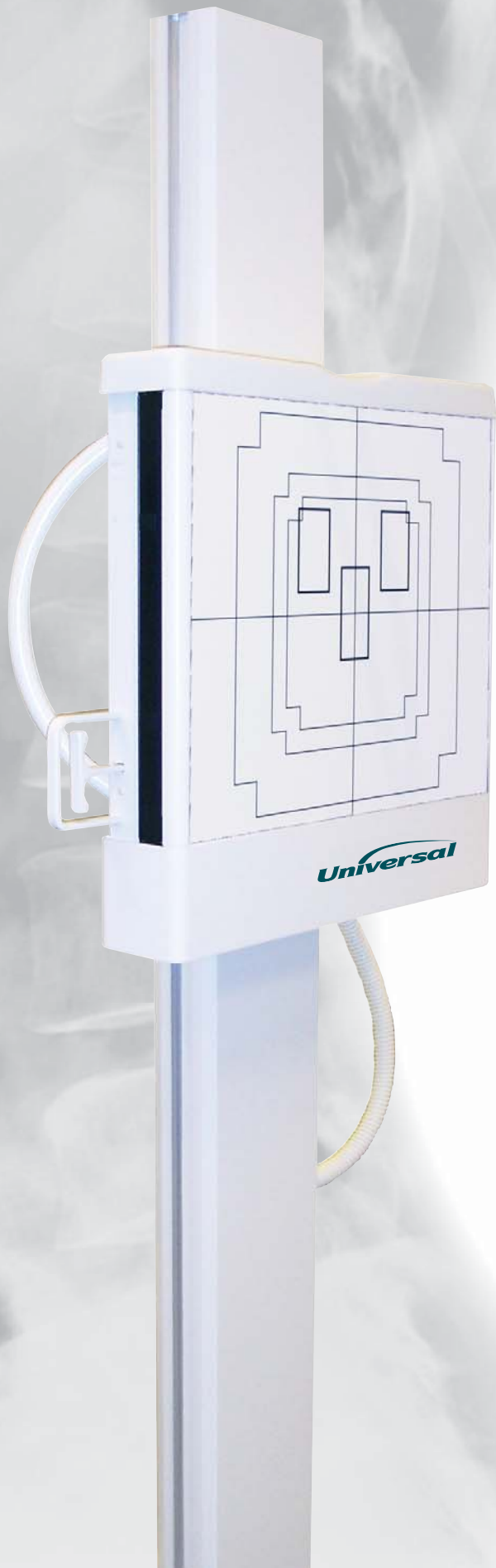


Universal Chiropractic X-Ray Systems

Flat Panel DR & Classic Film Systems



DelWorks

Digital Radiography



The user-friendly DelWorks image acquisition and processing software is easy to operate with a wide range of tools for a variety of image manipulations. This fully integrated, Windows-based user interface simplifies every step of the examination procedure, including:

- Anatomical programming
- Advanced image processing and algorithms
- QA and post processing of acquired images
- Network connectivity for patient selection
- DICOM Store, DICOM Print and DICOM Modality Worklist
- Image Stitching (optional)

DelWorks DR can also be used to upgrade existing film or CR systems.

Universal

Upright Raymaster Classic Film System

This sturdy, reliable upright system will provide years of trouble free operation. The extensive vertical travel of 75.25in (191cm) allows for complete radiographic coverage from skull to weight bearing studies.

System Components:

Floor-Wall/Floor-Ceiling tube stand with 6 foot tracks and 140kHu x-ray tube with angulating tube arm and manual laser-light collimator.

Vertical wall stand with electro magnetic lock and 17in x 17in (43cm x 43cm) grid cabinet with 10:1 fine line grid for superior film quality. The cassette tray accepts 14in x 17in (35cm x 43cm) and smaller cassette sizes.

Available with our HE425, 400mA single-phase or 30, 40 or 50kW anatomically programmed, high frequency generator.



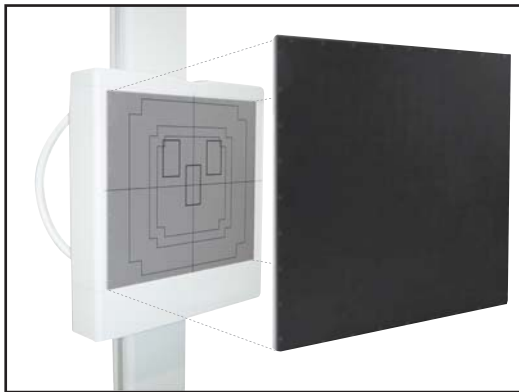
Universal *DCChoice*[™]

Digital Chiropractic Imaging Suite with DelWorks DR

The Universal *DCChoice* is an affordable, cost effective flat-panel digital x-ray system that will instantly improve the efficiency of your practice. Digital radiography provides a clean and streamlined imaging process by eliminating the need for cassettes, film, chemistry, automatic film processor, darkroom, film storage, and monthly maintenance.



High definition images are captured with the Varian 17in x 17in , 9 megapixel, cesium flat panel detector. Images are then displayed in seconds on the Barco 19in TFT, color LCD clinical review display. This 1280 x 1024 resolution display with touch screen interface is DICOM compliant providing more accurate grayscales and better contrast than standard monitors.



The 17in x 17in fixed detector is housed in our slender design wall stand which means the *DCChoice* requires considerably less space than bulky CCD systems.



Both the wall stand and floor-wall/floor-ceiling tube stand feature extensive vertical travel, allowing for a full range of upright positions. The tube stand features electro-magnetic locks and an angulating tube arm for easy and accurate positioning.

The 140kHu, 1.0 x 2.0 mm focal spot tube ensures high resolution images. The standard six foot (183cm) tracks allow for 40in (100cm) and 72in (180cm) detector distances.



High Frequency Power

Customize for your needs with your choice of our of 30, 40 and 50kW high frequency generator options. Complete generator integration is possible with our DR series generators.



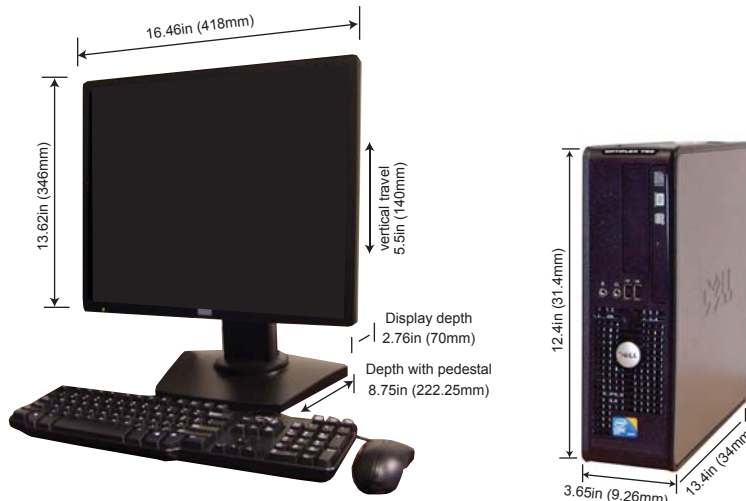
Specifications

DelWorks DR Detector

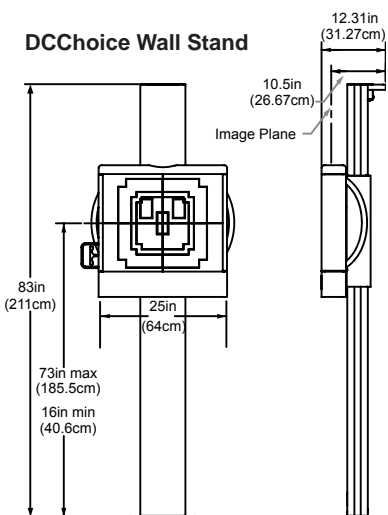
Cassette Size	17in x 17in
Model	Varian PaxScan 4343R Fixed
Scintillator	Cesium Iodide (CsI) Scintillator
Pixel Size	139 μ m
Resolution	3.6 lp/mm
Megapixels	9 megapixel (3,072 x 3,072 pixels)
Active Area	42.4cm x 42.4cm
Image Depth	16 bit A/D conversion, 14 bit output
Image Preview	\leq 1 second
Cycle Time	6 - 8 seconds
MTF (Modulation Transfer Function)	63% @ 1.0 lp/mm 34% @ 2.0 lp/mm 19% @ 3.0 lp/mm
DQE (Detection Quantum Efficiency)	65% @ 0 lp/mm 58% @ 1.0 lp/mm 45% @ 2.0 lp/mm 28% @ 3.0 lp/mm
Detector Size	18.5in x 18.5in x 1.4in (469mm x 469mm x 36mm)
Cable	N/A - Fixed
Detector Weight	16.5lb (7.5kg)
Housing Material	Aluminum
Sensor Protection Material	Carbon fiber plate and aluminum
Operating temperature	+50° F to +95° F

DelWorks Technologist Workstation

- Dell Optiplex 790 Small Form Factor Computer with Intel Core 2 Duo 3.0GHz, 4GB RAM, weight 15lb (6.80kg), keyboard and mouse
- 19in touch screen, flat-panel display, weight 18.74lb (8.5kg).
- Rotates 90 degrees landscape/vertical. Approved for medical use, complies with international medical safety and emission standards (CE, UL,EN, etc.)
- Active screen diagonal 19in (483mm); width 14.80in (376mm); height 11.85in (301mm)
- Pixel pitch 0.294mm, 16.8 million colors

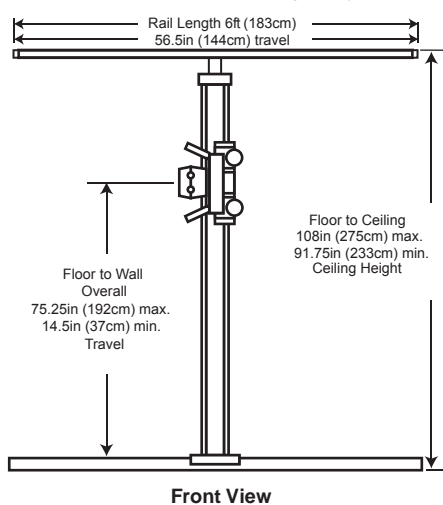


DCChoice Wall Stand

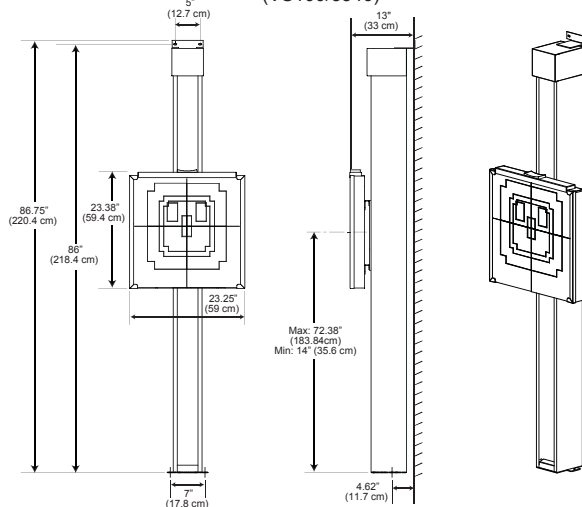


FW/FC Tube Stand

(Common on DC Choice & Upright Raymaster)



Upright Raymaster Wall Stand (VS100/3546)



DEL MEDICAL

Universal

UMG

Universal branded products are manufactured and distributed by UMG/Del Medical. Del Medical is an ISO 13485 & ISO 9001 Certified facility. Specifications are subject to change without notice.

01.13 #9000-Chiroux